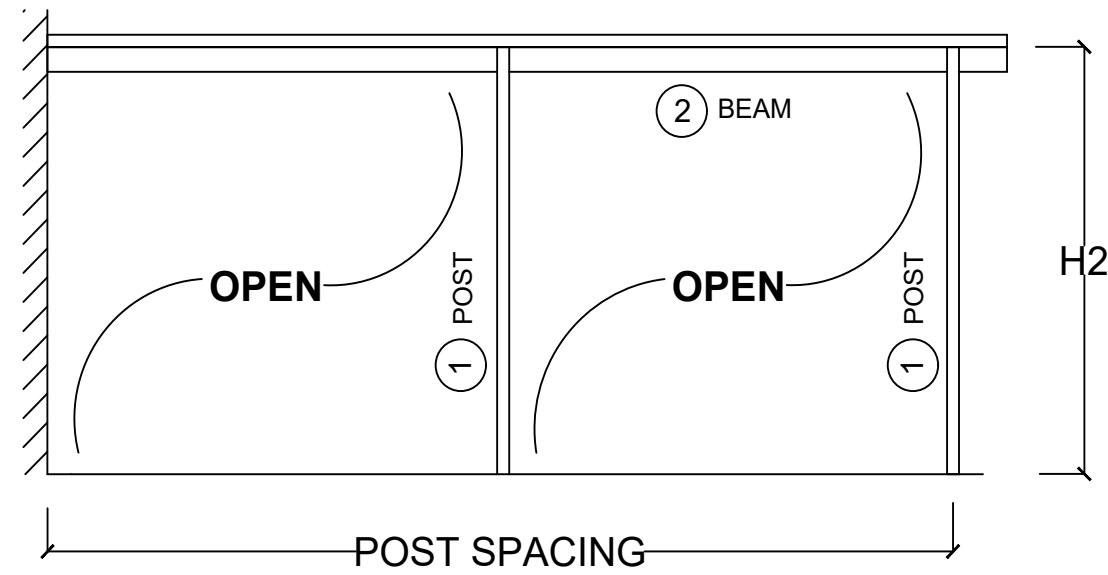
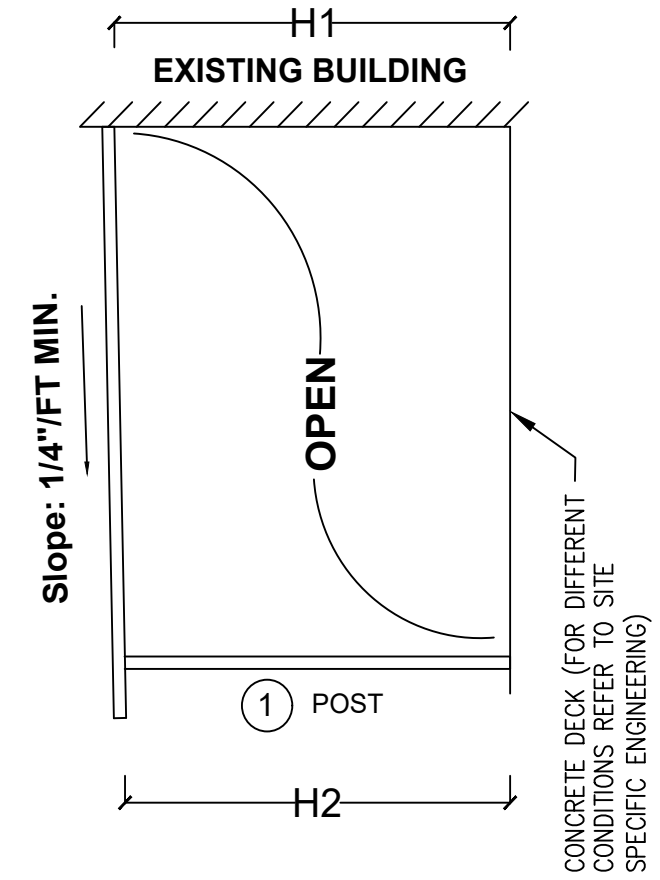
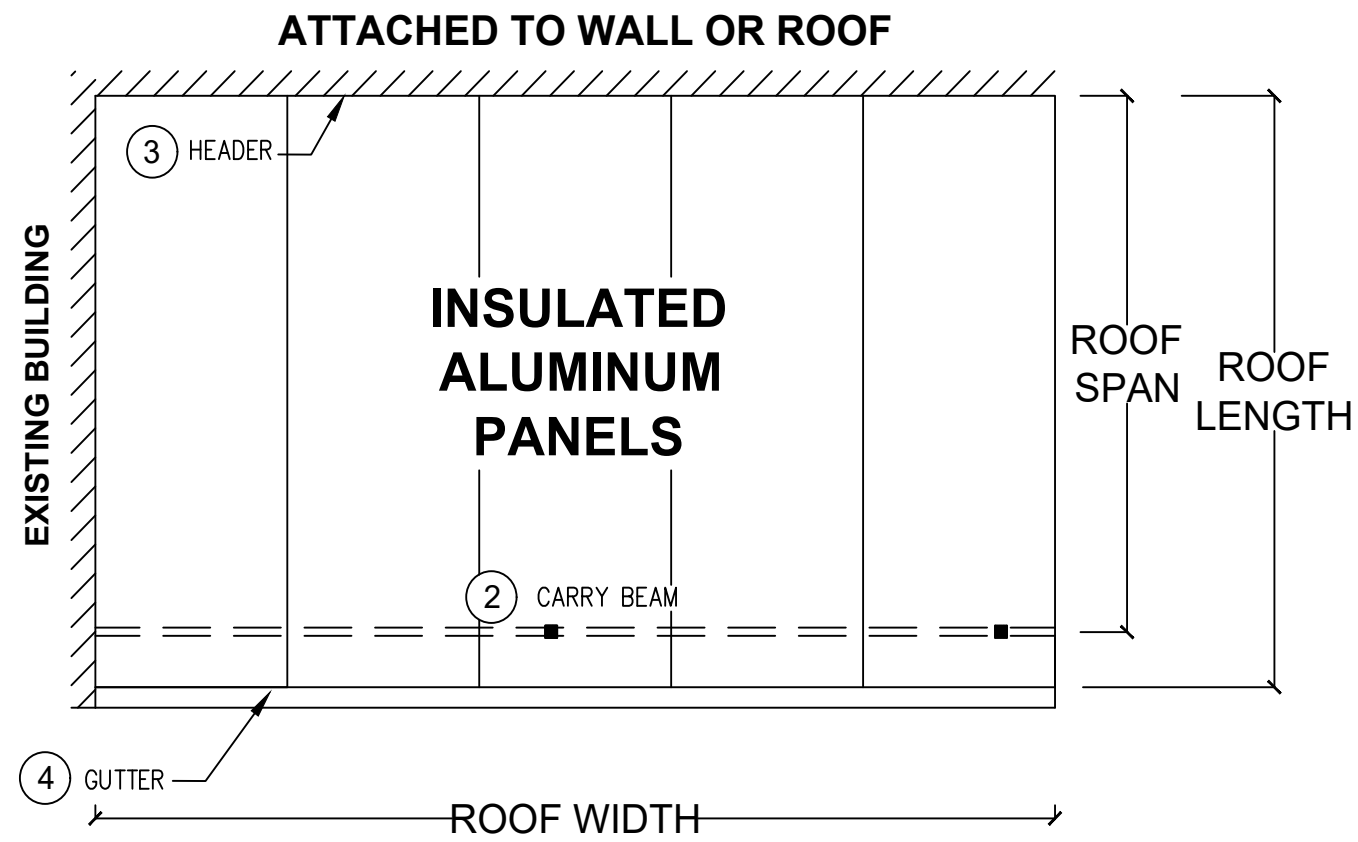
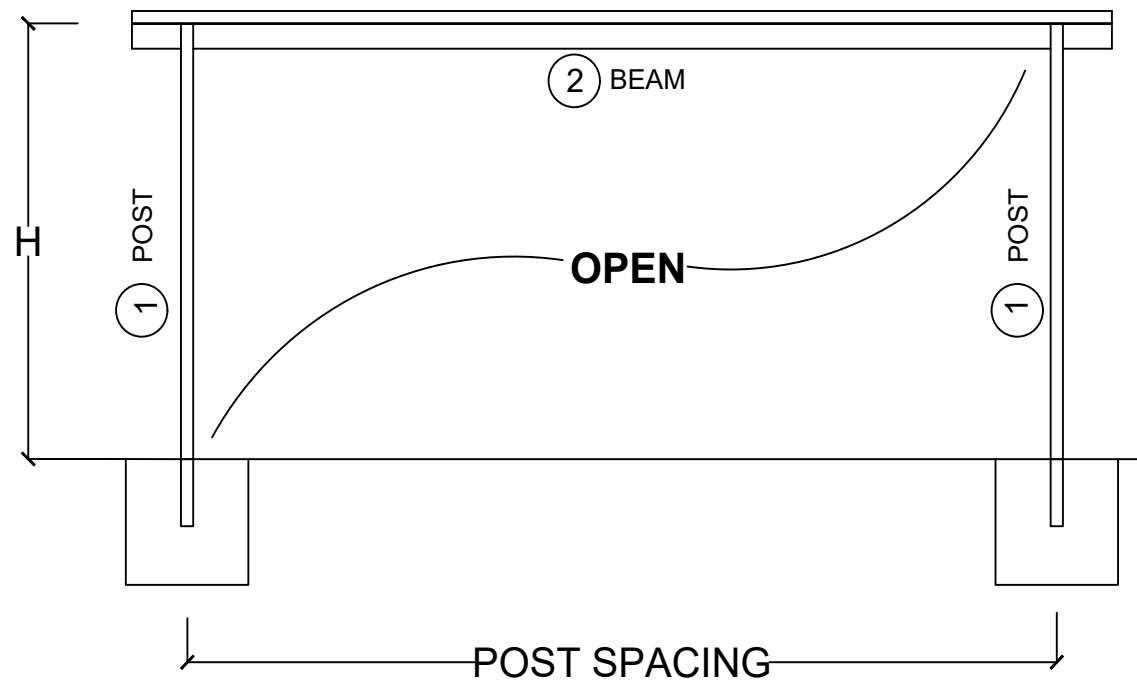
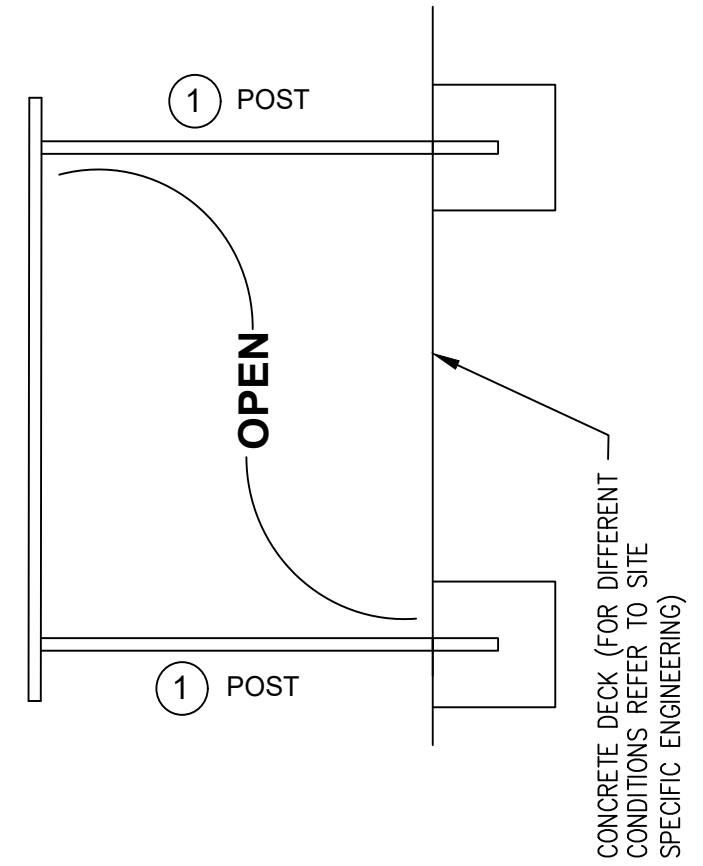
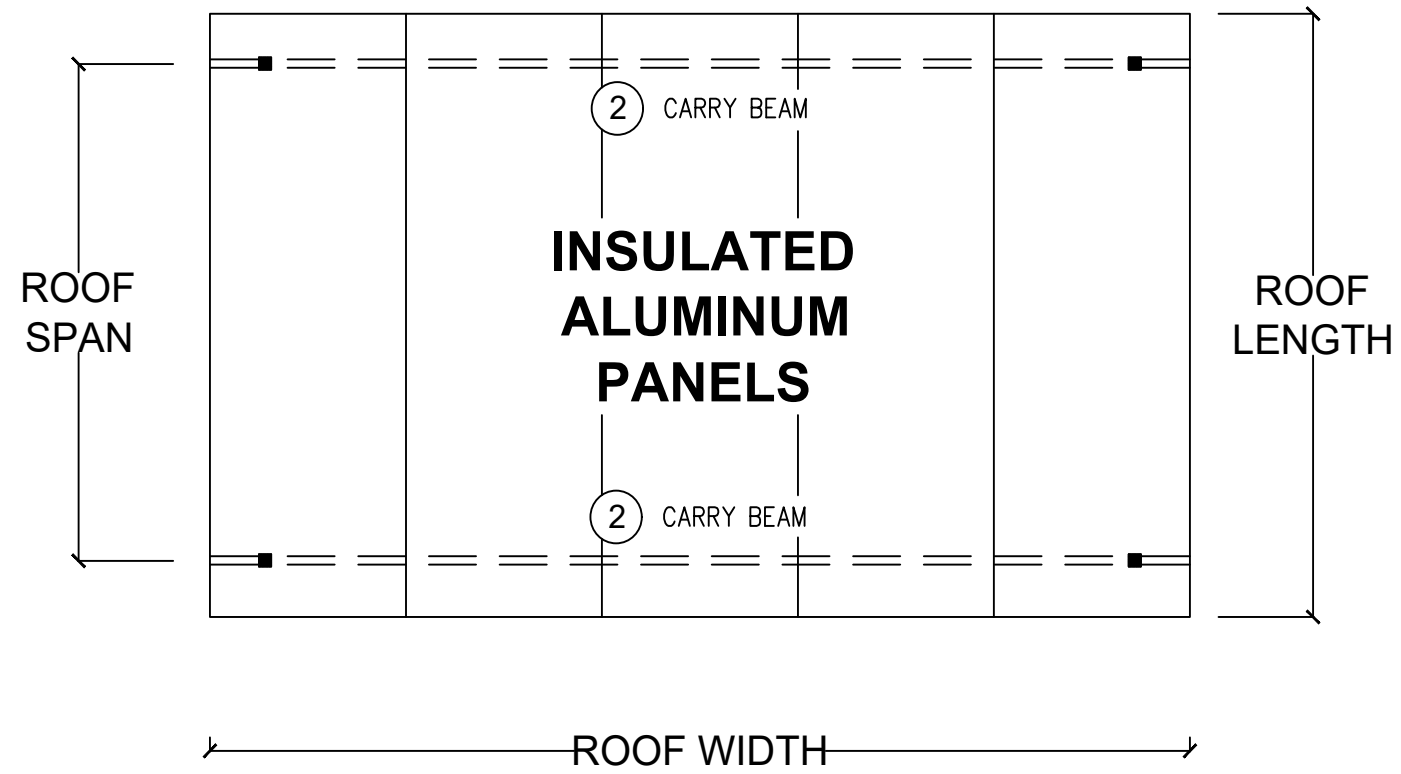


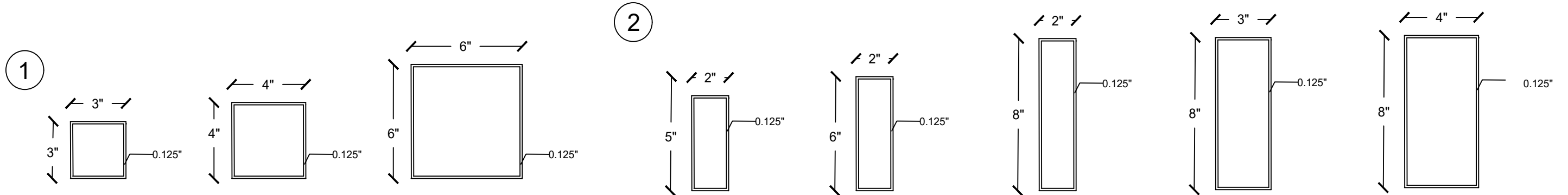
ATTACHED STRUCTURE



L-SHAPE STRUCTURE



FREESTANDING STRUCTURE



**3" X 3" Post**

**4" X 4" Post**

**6" X 6" Post**

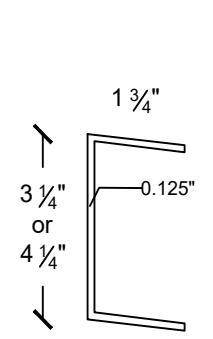
**2" X 5" Beam**

**2" X 6" Beam**

**2" X 8" Beam**

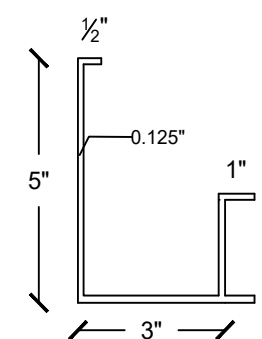
**3" X 8" Beam**

**4" X 8" Beam**



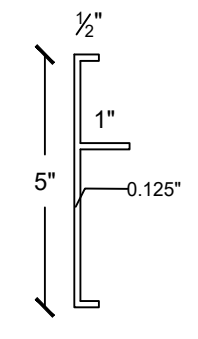
3

**Header**



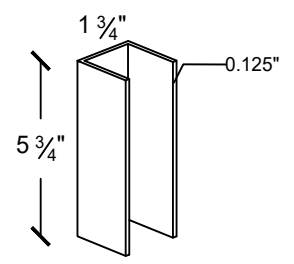
4

**E-Gutter**



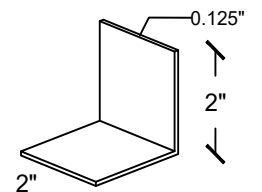
5

**Fascia**



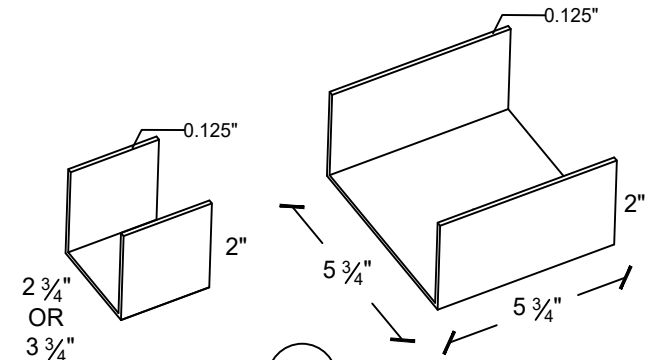
6

**Receiving Channel**



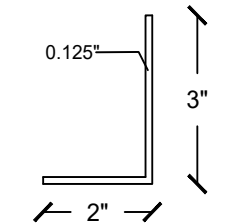
7

**Angle Bracket**



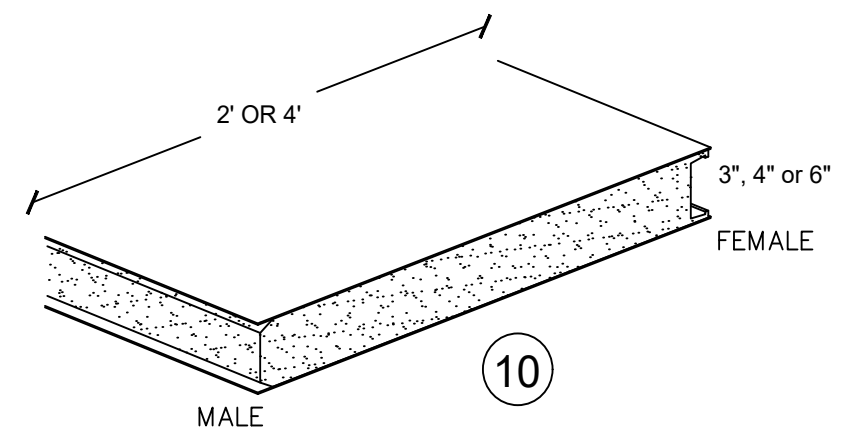
8

**"U" Bracket**



9

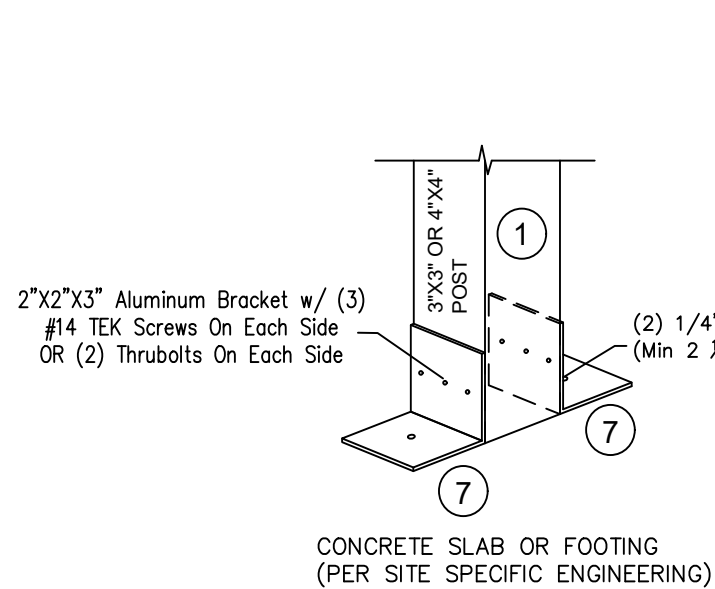
**Clip Angle**



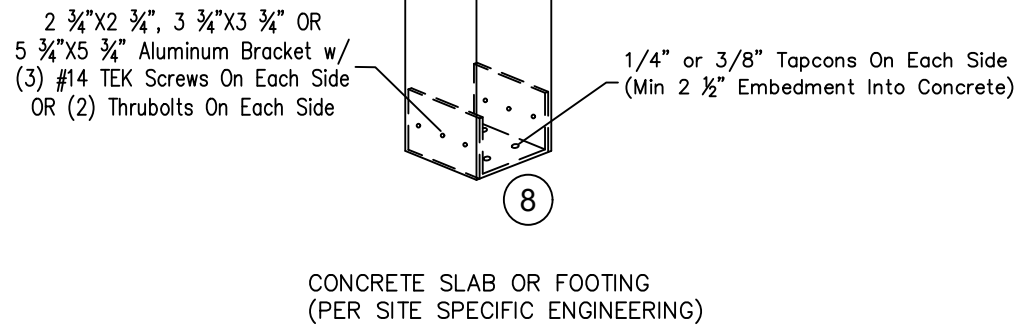
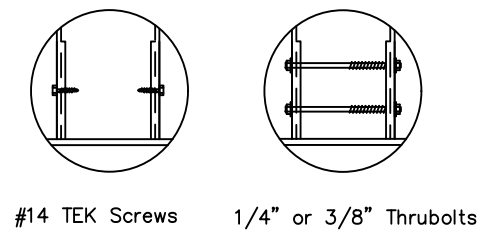
10

**Insulated Aluminum Panel**

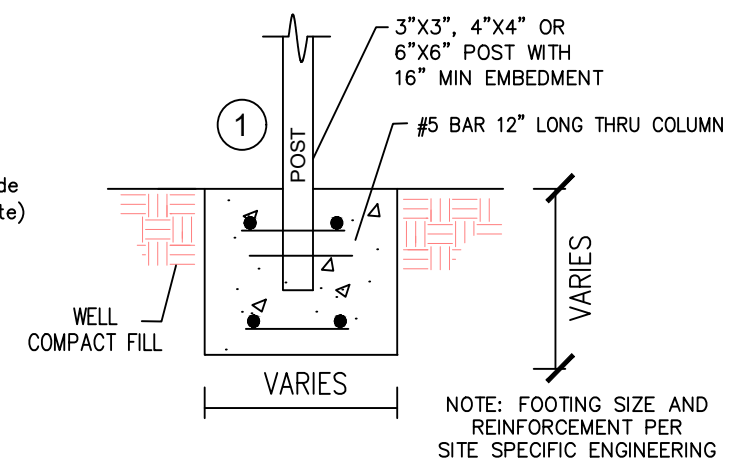
COMPONENTS



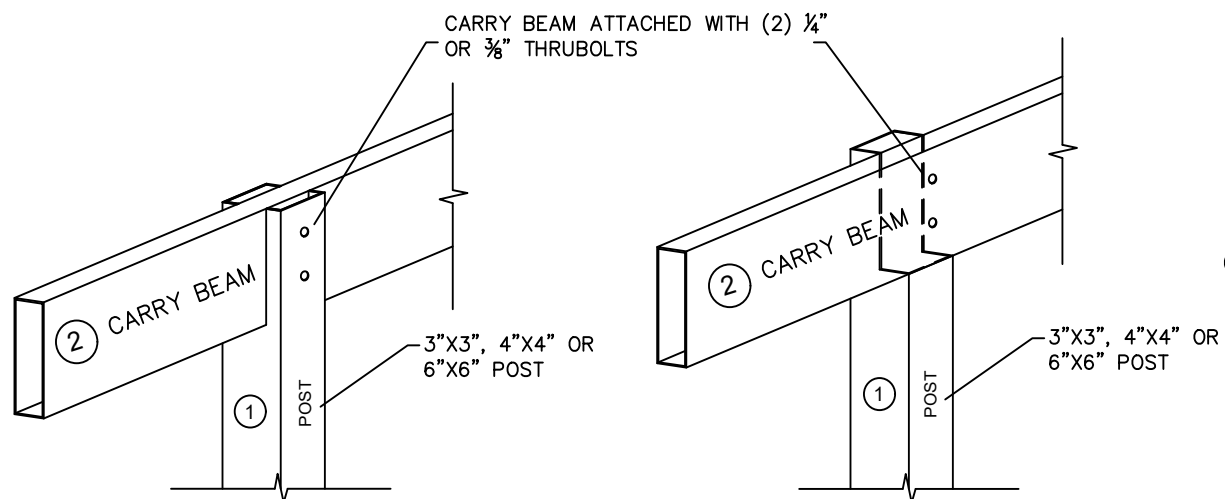
**POST ATTACHMENT (ATTACHED)**



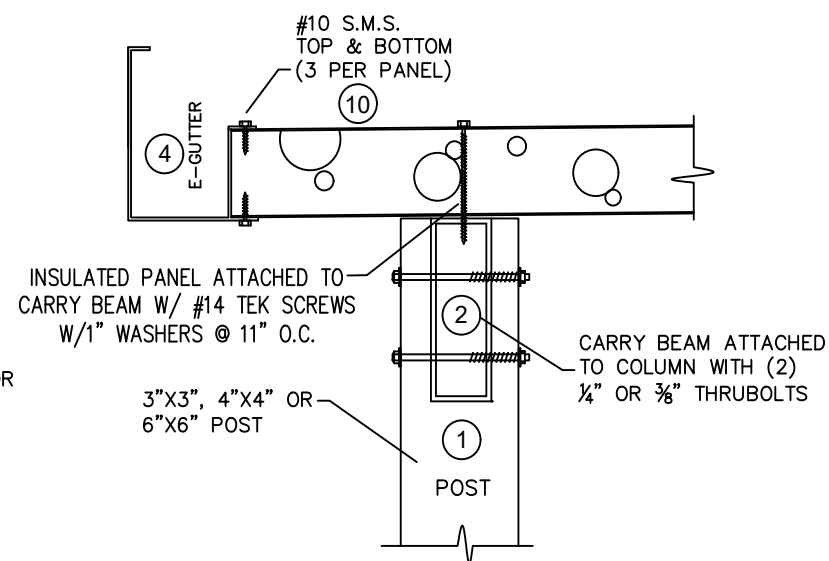
**POST ATTACHMENT 2 (ATTACHED)**



**POST ATTACHMENT (FREESTANDING)**

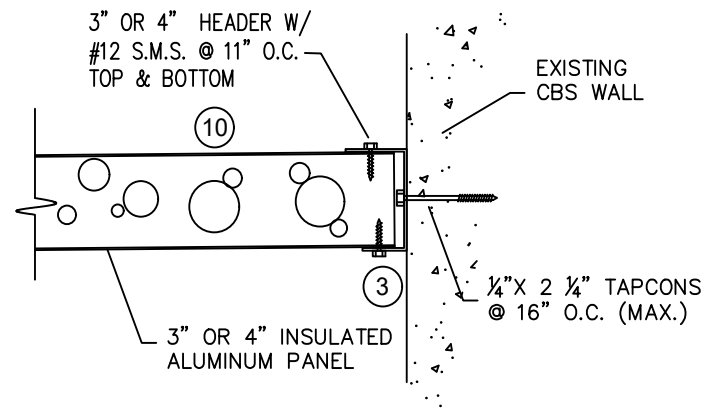


**POST TO BEAM CONNECTIONS**

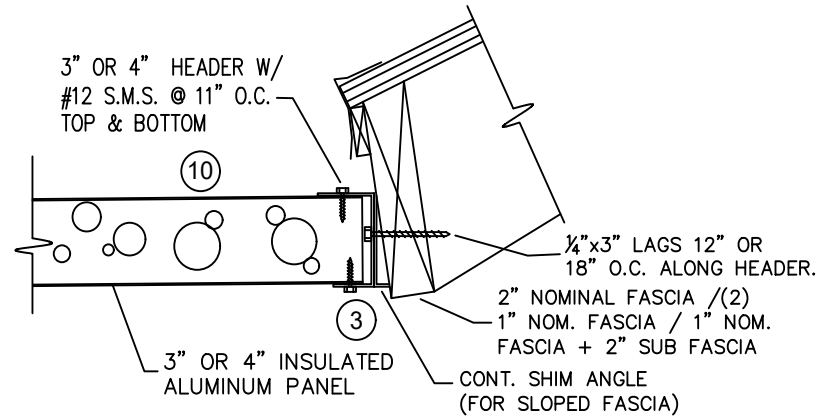


**INSULATED PANEL, BEAM & POST ATTACHMENT**

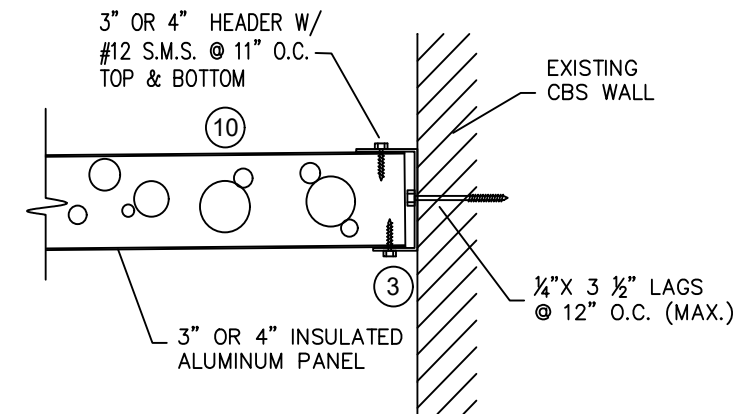
CONNECTIONS



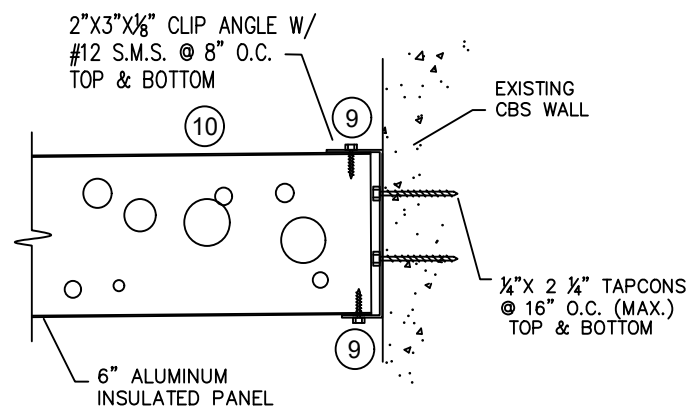
**INSULATED PANEL TO CBS WALL**



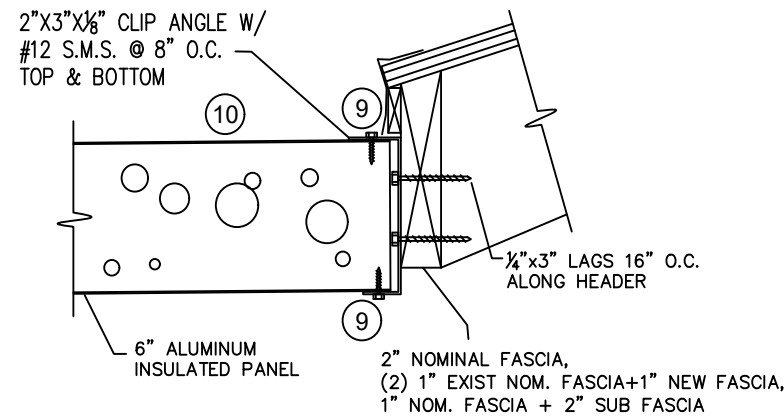
**INSULATED PANEL TO FASCIA**



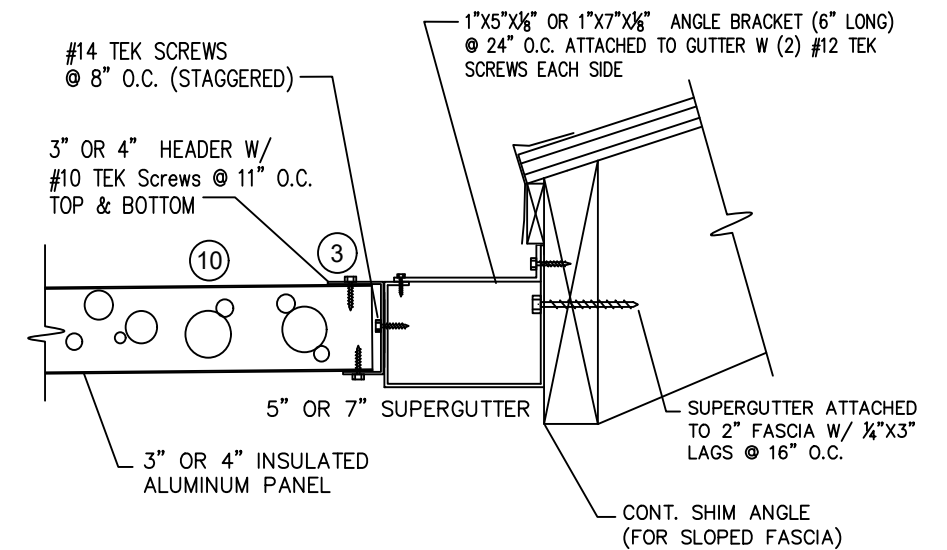
**INSULATED PANEL TO FRAME WALL**



**6" INSULATED PANEL TO CBS WALL**



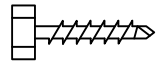
**6" INSULATED PANEL TO FASCIA**



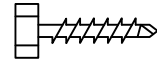
**INSULATED PANEL TO SUPERGUTTER & FASCIA**

WALL & FASCIA CONNECTIONS

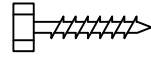
**ALUMI-KIT INC.** / **TRADITIONAL**  
*Patio Cover Kits*



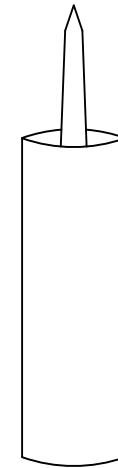
**#12x1" TEK Screws**



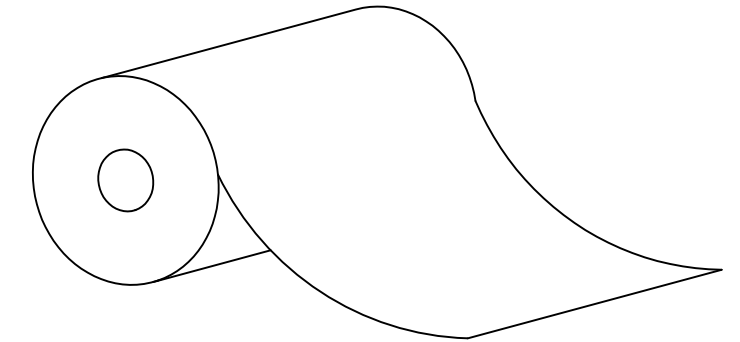
**#14x1" TEK Screws**



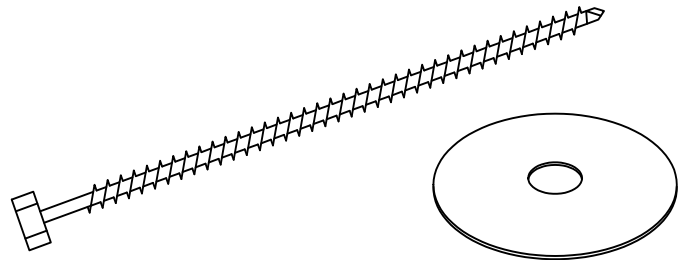
**#12x1" S.M.S.**



**Caulking  
(White or Bronze)**

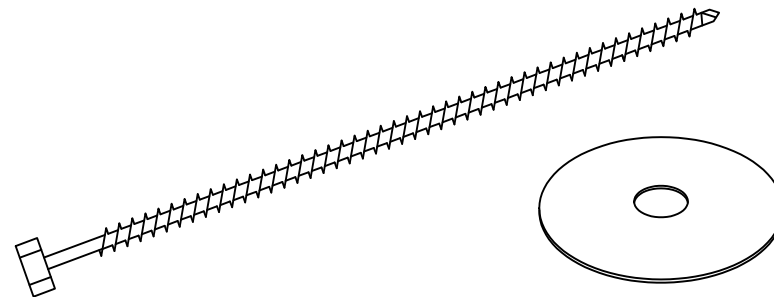


**Peel & Seal**



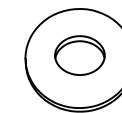
**#14x5" TEK Screws w/  
Neoprene Washer**

FOR 3" INSULATED PANELS

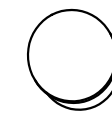


**#14x6" TEK Screws w/  
Neoprene Washer**

FOR 4" INSULATED PANELS



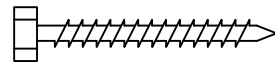
**3/8" Washers**



**3/8" Plastic Caps**



**1/4"x2 1/4" Tapcon Screws**



**1/4"x2" Lag Screws**



**3/8"x3 1/2" Hex Bolts**

HARDWARE